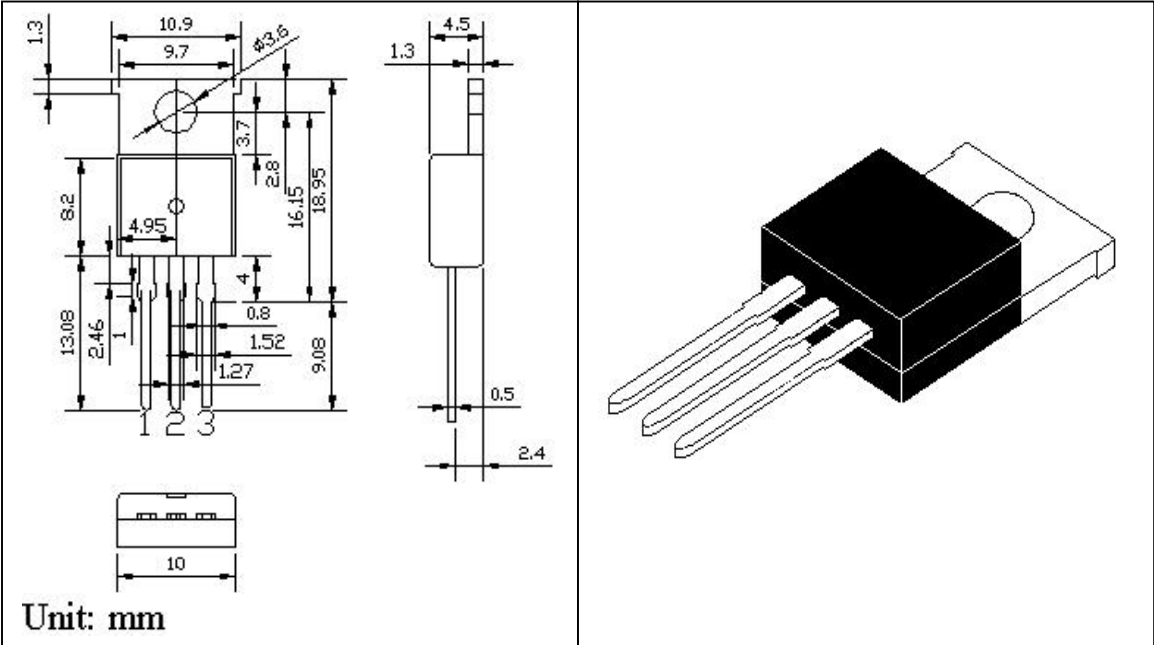


PMC[®] SEMICONDUCTOR PACKAGE DIMENSIONS



TO-220AB